



SURFACE-SOCKET

240V 3-Pin Socket

Description

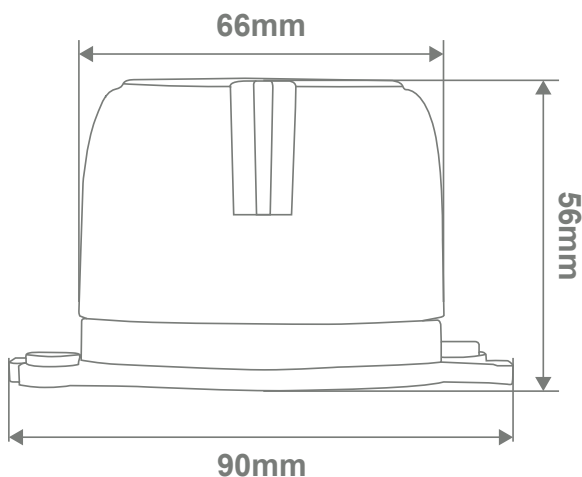
The SURFACE-SOCKET from Domus is a highly visible, but attractive coloured 10A surface mount plug base surface socket, designed for easy installation of electrical products, commonly used with LED recessed downlights. It features 4 large terminals, with a back-wired base and a transparent snap-on plate for fast and efficient mounting. Its polycarbonate housing is highly durable, high impact and complies with all applicable Australian standards. Backed by our 3 Year Replacement Warranty for peace of mind.



Specification Features

Input Voltage:	250V 10A 3 Flat Pin
Dimensions:	Ø66mm x H56mm
Terminals:	Suitable for 4 x 2.5mm ² Cables
Mounting Centre:	50mm

Diagrams / Additional



Item No.	Variant
SURFACE-SOCKET	20949